

L A **Z** B O Y<sup>®</sup>

Designed to be comfortable,  
and built to stay that way.

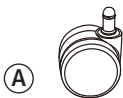
*Live life Comfortably.<sup>®</sup>*

**Commerical 2000 Series  
Executive Chair  
Assembly Instructions**

**Model**    **LZB-48956 (400 lbs)**  
              **LZB-48957 (300 lbs)**



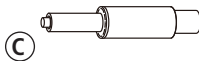
# PARTS



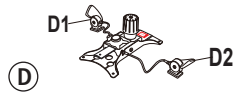
**A**  
**Casters**  
Quantity: 5



**B**  
**Star Base**  
Quantity: 1



**C**  
**Gas Lift**  
Quantity: 1



**D**  
**Seat Plate**  
Quantity: 1



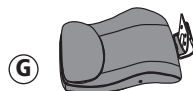
**E1**  
**Left Arm**  
Quantity: 1



**E2**  
**Right Arm**  
Quantity: 1



**F**  
**Seat Cushion**  
Quantity: 1



**G**  
**Back Cushion**  
Quantity: 1



**H**  
**1" Screws**  
Quantity: 2



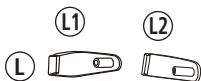
**I**  
**1-1/2" Screws**  
Quantity: 2



**J**  
**1-1/4" Screws**  
Quantity: 4



**K**  
**1-1/2" Screws with Spring Washers**  
Quantity: 4



**L**  
**Arm Inserts**  
Quantity: 2



**R**  
**Arm Inserts**  
Quantity: 2



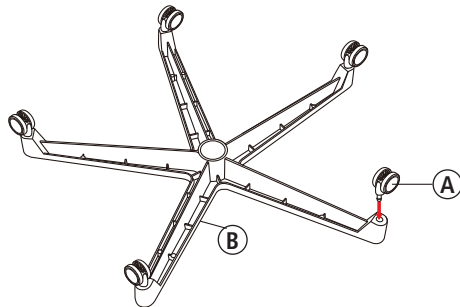
**M**  
**5/8" Knob**  
Quantity: 1



**N**  
**Allen Key**  
Quantity: 1

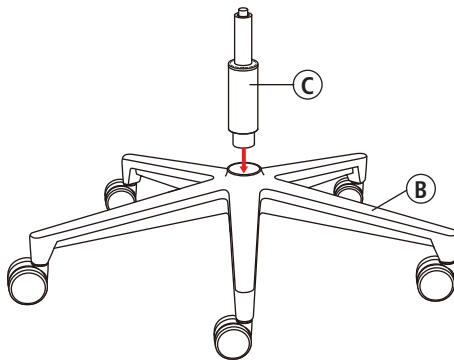
### Step 1

Place the Star Base (B) upside down and insert 5 Casters (A) into the holes on the Star Base (B).



### Step 2

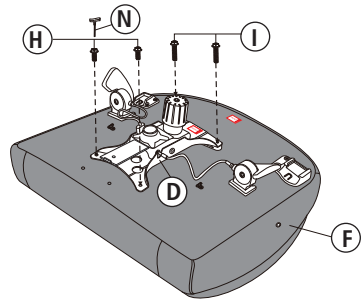
Turn the Star Base (B) over and insert the Gas Lift (C) through the center hole on top of Star Base (B).



### Step 3

Attach Seat Plate (D) to the bottom of the Seat Cushion (F) (with the front of the seat plate facing the front of seat cushion). Attach by using 1-1/2" Screws (I) for the front holes of the Seat Plate (D) and 1" Screws (H) for the rear holes of the Seat Plate (D) and tighten screws.

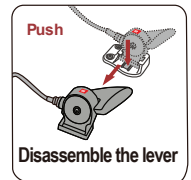
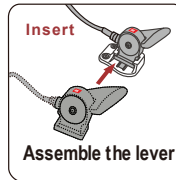
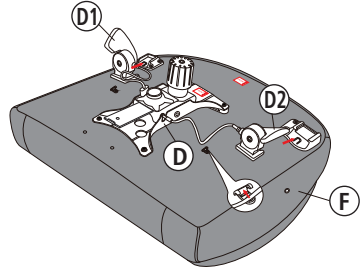
\*Note: Tighten the screws completely.



### Step 4

Insert Levers (D1 & D2) of Seat Plate (D) to the pre-attached cable lever receivers on the underside of Seat Cushion (F). Push down the key on the receivers to pull out the levers.

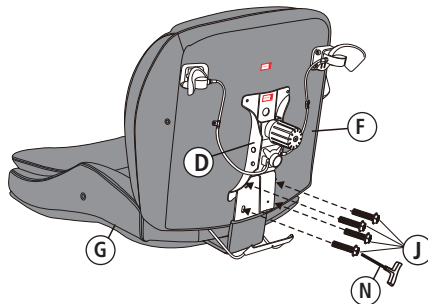
\*Note: Fix the cable for the seat plate into the plastic clips attached to the bottom of the seat cushion.



### Step 5

Align the Back Cushion (G) with the Seat Cushion (F) by positioning the back support plate over the Seat Plate (D) with 1-1/4" Screws (J).

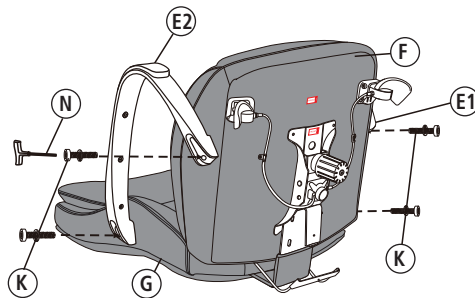
\*Note: Do not tighten the screws completely.



### Step 6

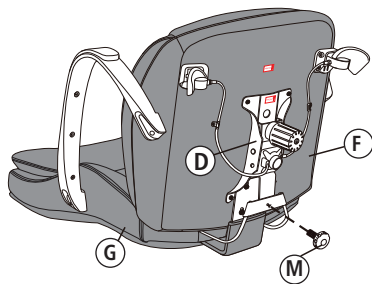
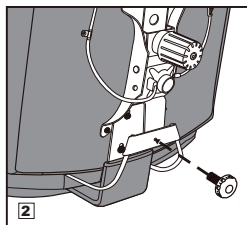
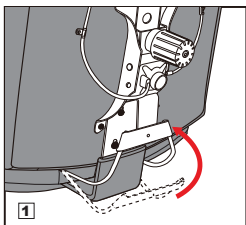
Insert 1-1/2" Screws with Spring Washers (K) into arm holes, attaching Arms (E1 & E2) (with the front of arms facing the front of seat cushion) to sides of Seat Cushion (F) and Back Cushion (G).

\*Note: Tighten all the screws completely. Remember to tighten the back support plate screws.



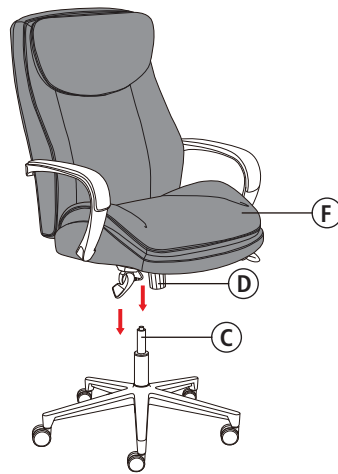
### Step 7

Pull down the metal plate of Back Cushion (G) and attach it over to the Seat Plate (D) by using 5/8" Knob (M). Tighten the knob.



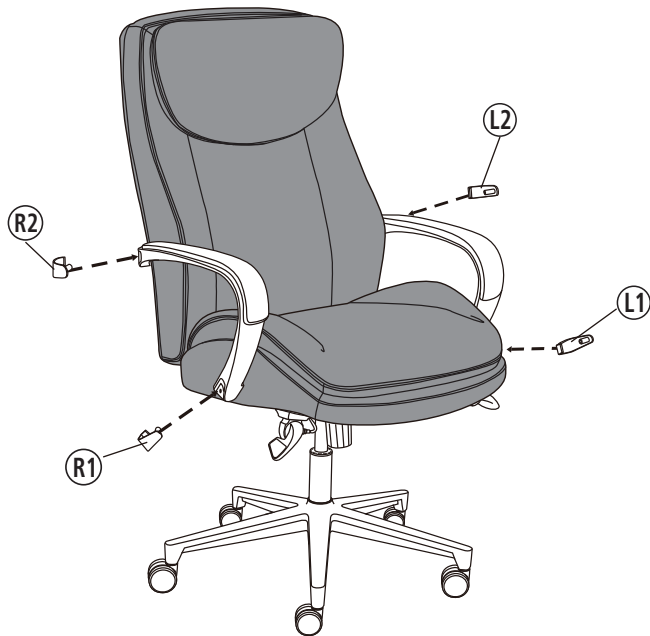
### Step 8

Position the assembled chair upright with the seat plate facing down. Insert the Gas Lift (C) into the center hole of the Seat Plate (D).



### Step 9

Place the Arm Inserts (L1, L2, R1 & R2) into arm grooves once all screws have been tightened.

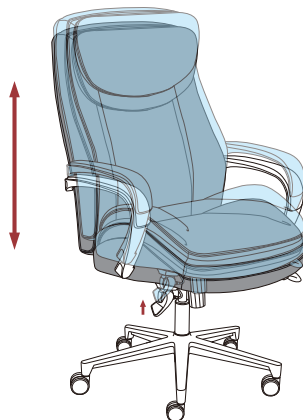


## Operating Instructions

### Function Instruction - 1

#### To Adjust Seat Height:

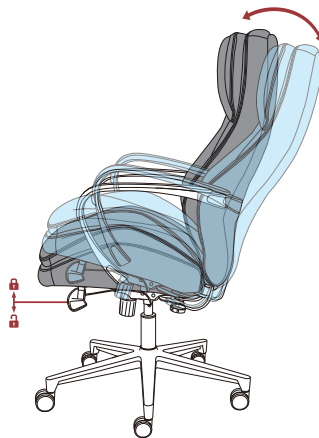
While seated, lean forward and reach under the right side of the chair to find the lever. Lift the lever and raise your body up slightly to allow the chair to rise to the desired height. Once desired height is reached, release lever to lock chair at desired height. To lower the seat, lift the lever while seated. The chair will descend until the lever is released or the chair reaches the bottom position.



### Function Instruction - 2

#### To Operate Tilt Lockout:

While seated, reach under the left side of the chair to find the lever. Push down the lever and lean back to allow the chair to tilt backwards. To lock the chair in the upright or vertical position, sit upright and pull the lever to the up position.





### Function Instruction - 3

#### To Adjust Tension On The Tilt:

Reach under the front center of the chair, grasp the round knob (S) and turn it counter-clockwise to stiffen the tilt mechanism for a heavier user. Turn the knob (S) clockwise to loosen the tilt mechanism for a lighter user. Rotate the knob (S) until the desired resistance is reached.



### Function Instruction - 4

#### 360° Swivel:

360° seat swivel.



## Function Instruction - 5

### Featuring Dynamic Lumbar Support Back Health Technology:

Patented Dynamic Lumbar Support allows the lumbar zone to change from full support to relaxed as you shift your sitting position from upright to reclined. The chair can be locked in the upright position using the tilt lockout for constant lumbar support while in a work posture.





L A **Z** B O Y®

*Live life Comfortably.®*

